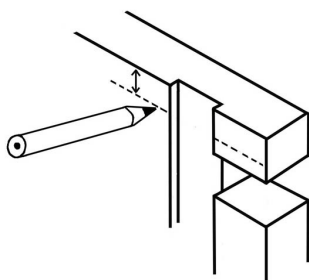
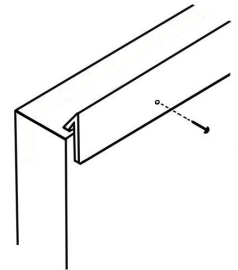


## National Brood Body

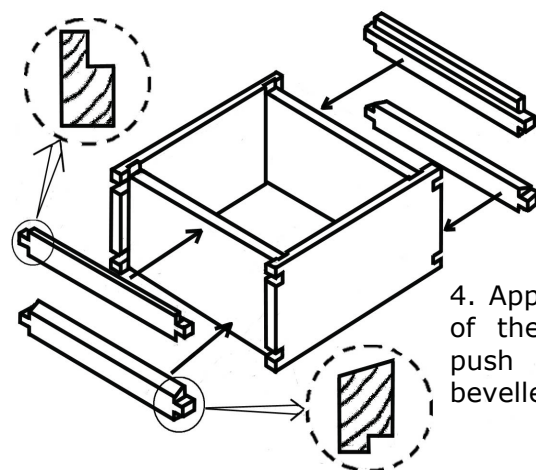
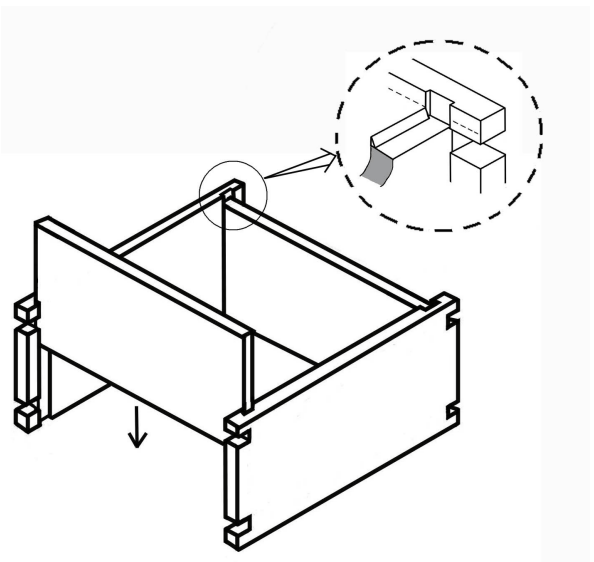
This comprises two outer walls, two inner walls, two top locking bars and two bottom locking bars. Also supplied are a pair of frame runners and a pack of nails. The outer walls each have two long grooves and 4 cut out slots, the inner walls are plain and slightly smaller.

1. Start by attaching a frame runner to each of the inner walls. Attach the runner to one edge of the inner wall using the brass escutcheon pins ensuring that the runner is spaced equally from each end of the side wall.



2. Mark the outer wall 7/16" down, adjacent to the long groove

3. Apply glue to the grooves in the outer walls and then push the inner boards into the groove, ensuring top of runner coincides with mark.



4. Apply glue to the inner faces of the locking bars and then push them into the slots, bevelled type at the bottom.

**Check regularly that the box is square**

5. Nail through outer walls into inner walls using 2" nails. Nail locking bars into position using 2" nails. Nail locking bars from inside 3/16" down from runner, using 1 1/2" nails.

